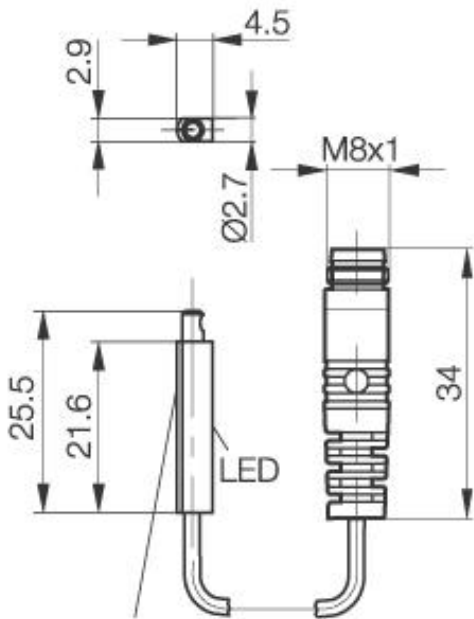


**Magnetic Field Sensors**  
**BMF 303K-PS-C-2-S49-00,2**  
**25,5x4,5x2,9**  
**Short circuit protection**



PX1549

**Common Data**

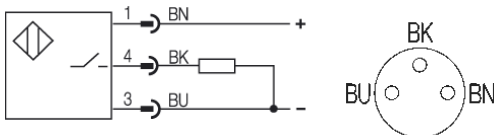
Rated operating field strength	1,2kA/m
Assured operating field strength	2kA/m
Function indication	yes
Ambient temperature range	-25...+70°C
Temp.Drift from Switch. Pnt	0,3%/°C v. Hn

**Mechanical Data**

Measurements BxHxT oder DxT	25,5x4,5x2,9mm
Housing material	LCP
Degree of protection	IP67IP
Connection	Cable with Connector S49
Cable type	LifY-Y-11Y-O

**Electrical Data**

Current type	DC
Wiring	3-Wire
switching function	normally-open
Output signal	PNP
Rated operational voltage	24 DCV
Rated operational current	100mA
Supply voltage	10...30V
Ripple	≤ 15% v. Ub
Rated supply frequency	DCHz
No-load supply current	≤12/≤8mA
Off-state current	≤ 80µA
Maximum operational current	100mA
Voltage drop	≤ 3,1V
Switch-On-Delay	0,05ms
Switch-Off-Delay	0,05ms
Short circuit protection	yes
Protected against polarity reversal	yes



Datasheet number:

Definitions see general catalog.  
 If not otherwise noted, ratings according to  
 IEC 60947-5-2 (DIN EN60947-5-2)

Balluff GmbH  
 Schurwaldstrasse 9  
 73765 Neuhausen a.d.F.  
 Phone (07158) 173-0 Fax (07158) 5010

Datenblatt by CD-ROM - 04/2007

**BALLUFF**  
 sensors worldwide